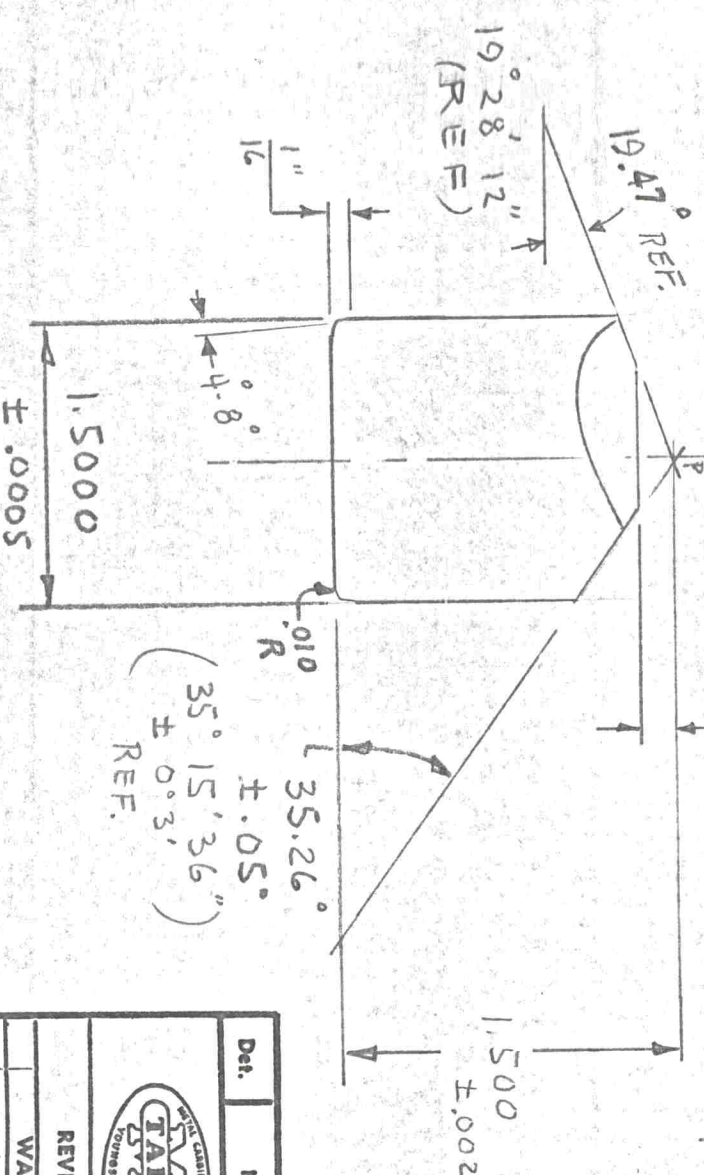
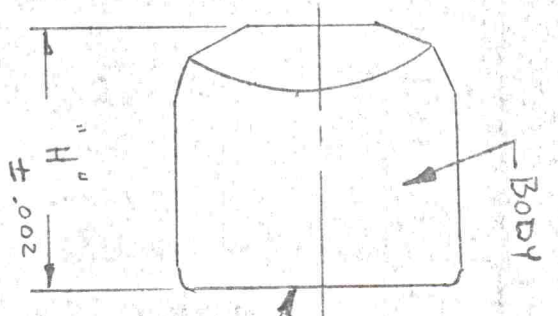
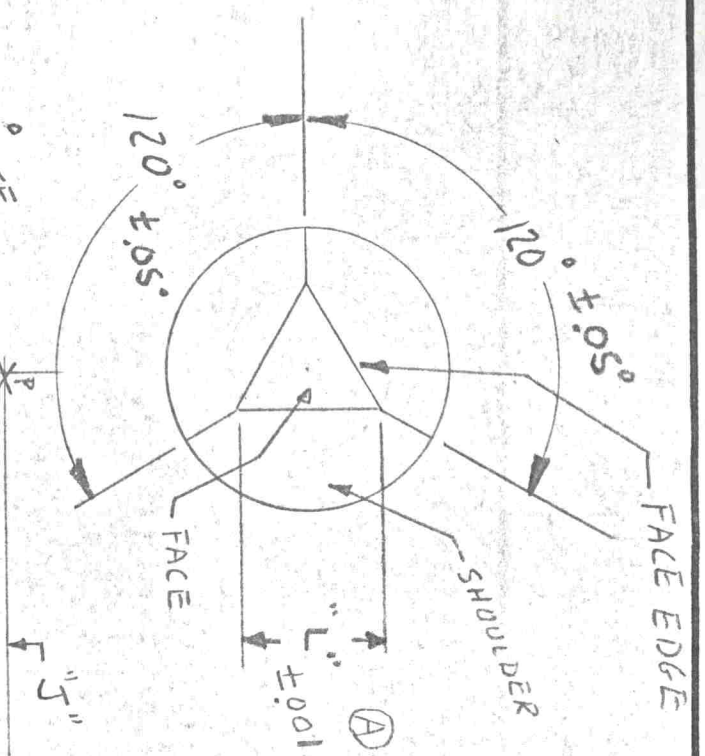


NOTE: 100 GRIT FINISH ALL OVER.

PER CUST SAMPLE RECD 3/19/65
 ALSO REFER TO M.C.C. DWG B-7640
 (S.O. B-51103 R-714 C-91) SAMPLE -

Det.	MATERIAL	STOCK SIZE	REMARKS	No. Req'd
			ENGINEERING DEPARTMENT METAL CARBIDES CORPORATION YOUNGSTOWN, OHIO	
	REVISIONS	CUSTOMER BRIGHAM YOUNG UNIVERSITY		
	WAS	DATE		
A			ITEM SOLID TALIDE & TETRAHEDRAL ANVILS.	
B			Date	Drawn
C			Scale	Print No.
D			3/22/65	C.R.
E			FULL	A-8094



"L" DIM	"J" DIM	"H" DIM	REMARKS
.5000	.1021	1.3979	
.7500	.1531	1.3469	
1.0000	.2041	1.2959	



METAL-CARBIDES CORPORATION
 ENGINEERING DEPARTMENT
 YOUNGSTOWN, OHIO

REVISIONS	DATE
A WAS ±.002	11/17/64
B	
C	
D	
E	

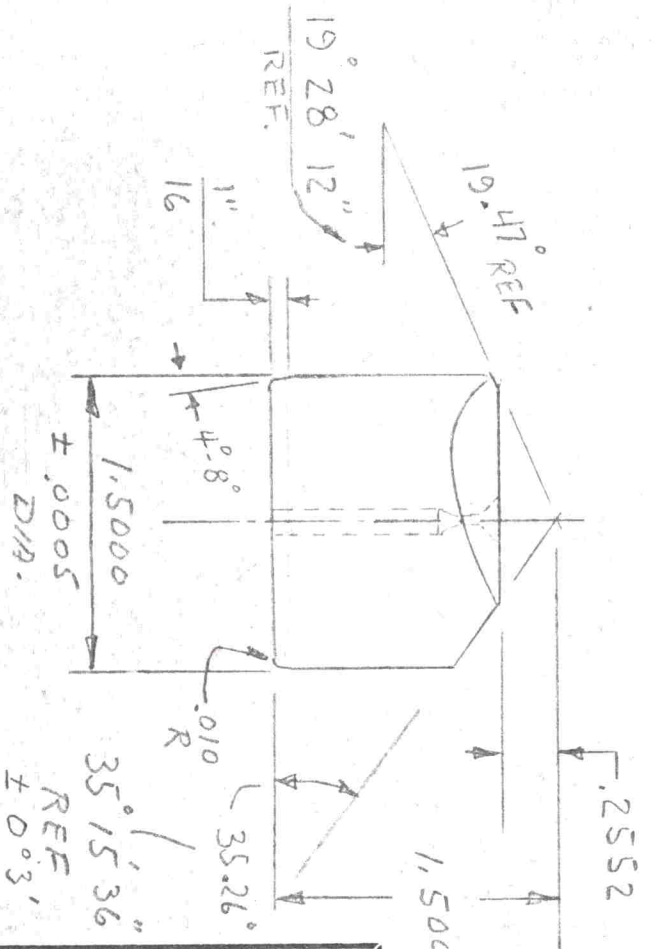
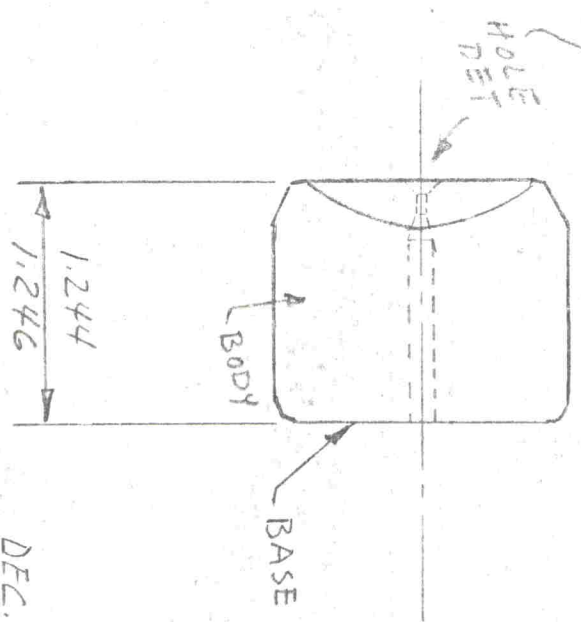
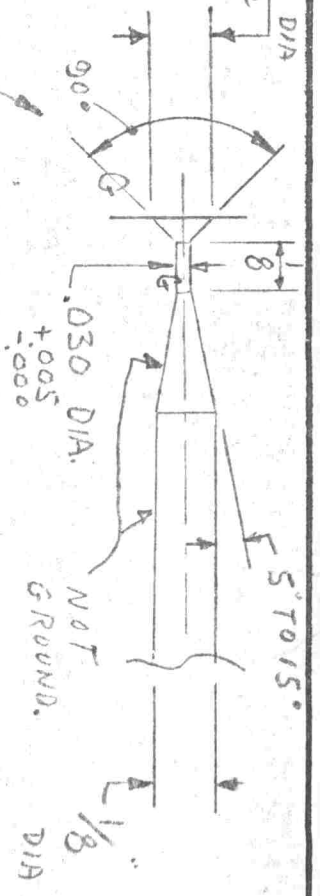
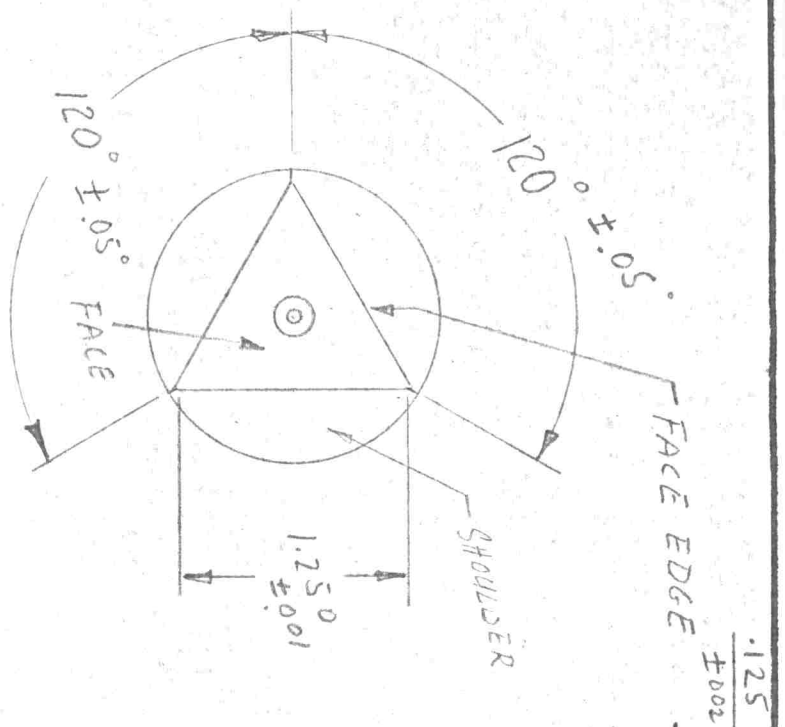
CUSTOMER
 BRIGHAM YOUNG

ITEM
 SOLID TETRAHEDRAL ANVILS

Def.	MATERIAL	STOCK SIZE	REMARKS	No. Req'd

Date 1/9/64 Drawn G.R. Scale — Print No. A-7866

NOTE: ALL SURFACES TO BE 100 GRIT.
 PER. H. T. HALL DWG OF 9/19/62



1.500 ± 0.002 REF
 H.T. HALL DWG OF 9/19/62
 UNLESS NOTED OTHERWISE
 DEC. ± 0.005 FRACTIONS ± 1/64

Dot.		MATERIAL		STOCK SIZE		REMARKS		No. Rec'd	
REVISIONS		TALIDE METAL CARBIDES CORPORATION YOUNGSTOWN, OHIO		ENGINEERING DEPARTMENT METAL CARBIDES CORPORATION YOUNGSTOWN, OHIO		CUSTOMER BRIGHAM YOUNG		ITEM SOLID TETRAHEDRAL ANVILS	
A	WAS	DATE							
B									
C									
D									
E									
Date		Drawn		Scale		Print No.			
4/11/65		G.R.		Full 2:1		A-8101			